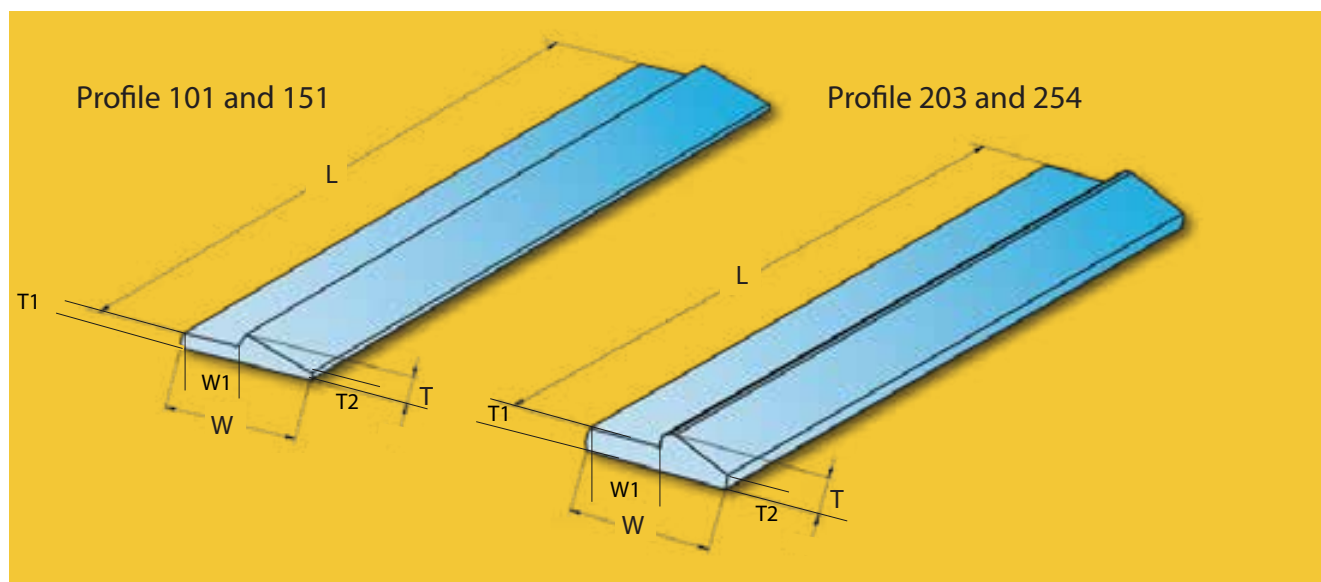


HALF ARROW EDGES BRUXITE 500



Bruxite Half Arrow Edges

Bruxite half arrow edges are available in Bruxite 500 in all sizes from the smallest profile 101, for light material buckets, to the biggest profile 254, for heavy-duty buckets. The half arrow edges are most commonly used as front edges on loader buckets, other applications are as edge protectors between teeth and as bucket side protectors. Mounted in front of the cutting edge of the bucket, the half arrow efficiently protects both the cutting edge and the underside of the bucket. The half arrow edge is a cost effective solution for extra wear protection on new buckets as well as a repair front edge for very worn cutting edges.

NOMINAL DIMENSIONS

Part No.	W	W1	T	T1	T2	Length	Kg
51 101	101	46	11	21	3	3000	34.8
51 103	151	68	16	32	6	3000	62.5
8WE96	203	127	19	32	5	2438	76.0
8WE108	203	127	19	32	5	2743	85.0
8WE120	203	127	19	32	5	3042	95.0
8WE120HED	203	127	25	38	10	3042	120.0
8WE144	203	127	19	32	5	3660	114.0
10WE120	254	127	29	57	10	3048	198.0
10WE120HD	254	127	40	70	24	3048	310.0
10WE144	254	127	29	57	10	3660	230.0
10WE144HD	254	127	40	70	24	3660	372.0
10WE168	254	127	29	57	10	4267	277.0
10WE168HD	254	127	40	70	24	4267	434.0